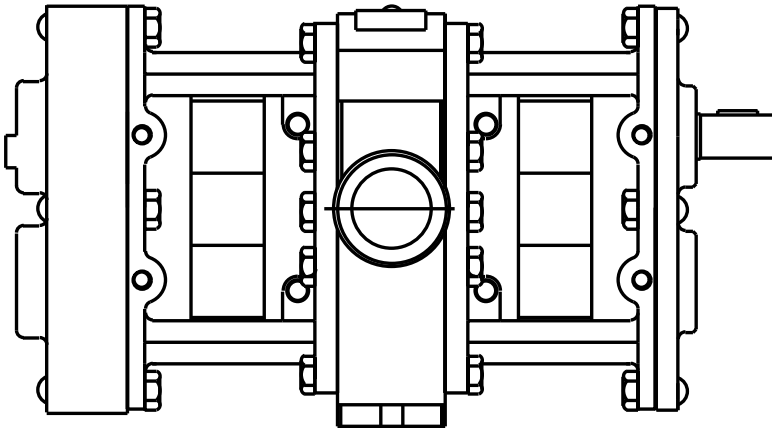


EDWARDS GEAR PUMPS REPAIR PARTS INDEX



READ AND UNDERSTAND THE PUMP AND MOTOR
INSTRUCTIONS BEFORE ATTEMPTING TO INSTALL,
DISASSEMBLE OR REPAIR THE PUMP



AURORA® EDWARDS SERIES

**EDWARDS GEAR PUMPS
 MODELS 20, 80, 150,
 160, 300, and 400**

TABLE OF CONTENTS

PUMP MODEL	PAGES
MODEL 20	4-5
MODEL 80	6-7
MODEL 150	8-9
MODEL 160	10-11
MODEL 300	12-13
MODEL 400	14-15

MATERIAL CODE INDEX

MATERIAL CODE	DESCRIPTION
010	Gray Cast Iron - Class 30
028	Malleable Cast Iron
053	Ductile Iron 60-45-10
058	Wrought Carbon Steel C1018
062	Carbon Steel C1040
063	Carbon Steel C1045
080	Steel Fasteners SAE #2
082	Steel Fasteners SAE #5
087	Wrought Steel Misc. Appl
088	Wrought Spring Steel
100	303 Stainless Steel
104	316 Stainless Steel
107	416 Stainless Steel
108	440 C Stainless Steel Hardened
109	416 Stainless Steel - Heat Treated
111	Alloy 20 Stainless Steel
190	Bronze Fastener Hardware
199	Lead Semi-Red Brass 81-3-7-9
208	Lead Red Brass 85-5-5-5
225	Cast Silicon Brass
319	Cast or Wrought Aluminum
360	Cadmium Plated Steel
370	Chrome Plated Cast Iron
387	Galvanized Malleable Iron
457	Buna-N
478	Neoprene
494	Viton
500	Nylon Resin Zytel ST801
503	Polyethylene Plastic
505	Polyvinyl Chloride Tubing
507	Teflon Coated Steel

MATERIAL CODE	DESCRIPTION
511	Nylon
512	25% Glass Filled Teflon
514	Ceramic Coated 303 SS
522	Glass Filled Teflon
554	Bronze Ring Construction
579	Heat Treated 303 SS
598	Cellulose & Cork CN-705
603	Nitrile Butadiene
614	Victolex 258/N852 Accopac
621	Sealant - Loctite/STA-LOK
625	Heat Treated Duplex SS
642	All Iron Construction
643	All Bronze Construction
644	Bronze Fitted Construction
645	Aluminum Construction
646	Stainless Steel Construction
647	Ball or Roller Bearings
651	Lube Fittings
652	Oilers
653	Grease or Oil Seals
656	Oil Breathers
660	Gland (Bronze/316 S/S)
661	Gland (Steel/Steel)
662	Gland (Bronze/Steel)
749	B30 P66 171 John Crane Seal
754	BP2CI John Crane Seal
755	B30 P66 271 John Crane Seal
758	BP871 John Crane Seal
764	XP1C1 John Crane Seal
802	Non Asbestos Packing
999	Vendors Standard Material



**EDWARDS GEAR PUMPS
 MODELS 20, 80, 150,
 160, 300, and 400**

Materials of Construction

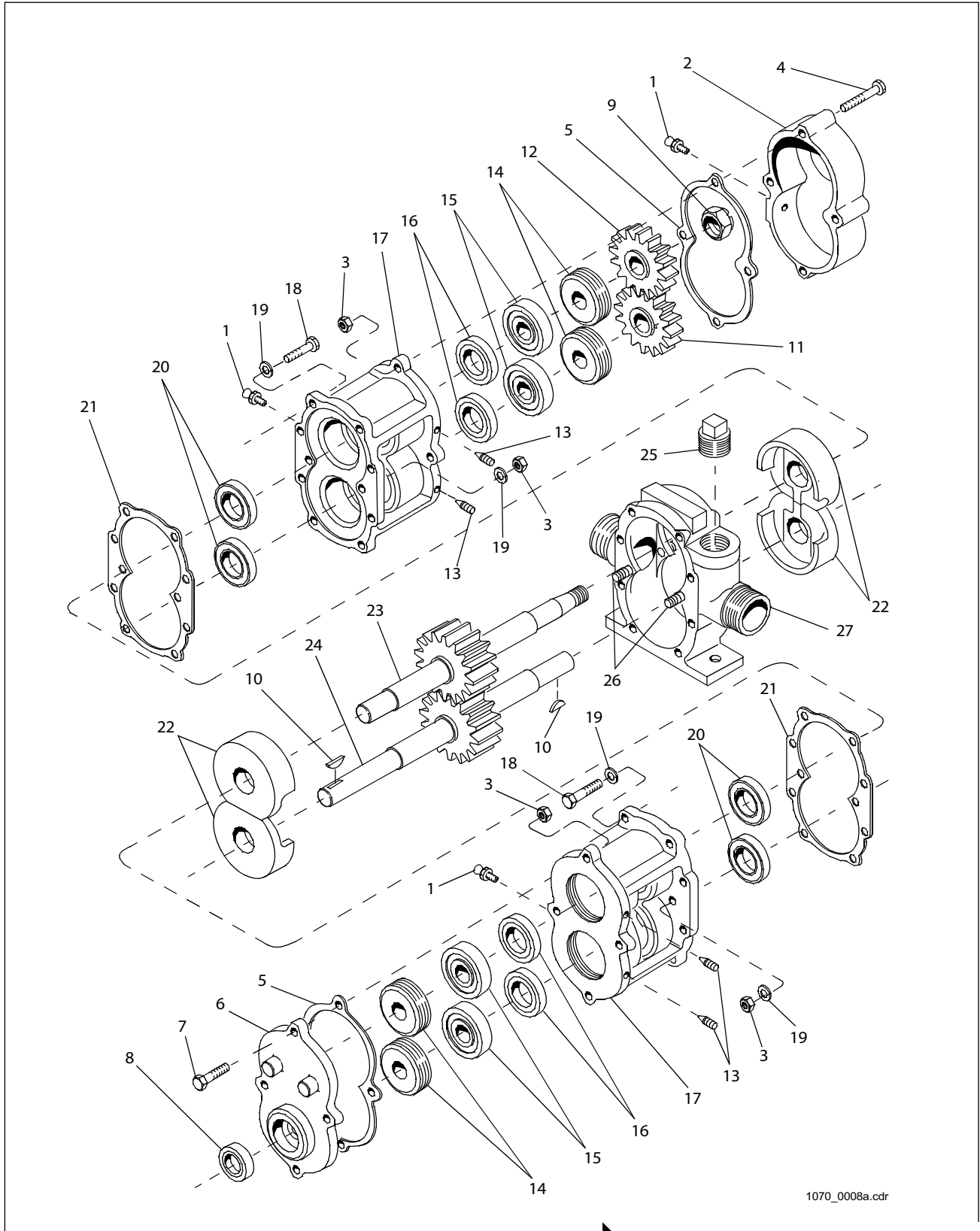
Edwards Model Positive Displacement Rotary Gear Pumps

PUMP PART	BRONZE FITTED	IRON / BRONZE FITTED	STAINLESS / BRONZE FITTED	ALL STAINLESS
Body	Leaded Red Brass, ASTM B584, UNS C83600	Ductile Iron ASTM A536, UNS F331	AISI 316	AISI 316
End Case	Leaded Red Brass, ASTM B584, UNS C83600	Ductile Iron ASTM A536, UNS F331	AISI 316	AISI 316
Rotor	Bronze ASTM B505, UNS C907	Bronze ASTM B505, UNS C907	Bronze ASTM B505, UNS C907	Bronze ASTM B505, UNS C907
Shaft	AISI 303 - Heat Treated	AISI 303 - Heat Treated	AISI 303 - Heat Treated	AISI 303 - Heat Treated
	Duplex, S32205 - Heat Treated *	Duplex, S32205 - Heat Treated *	Duplex, S32205 - Heat Treated *	Duplex, S32205 - Heat Treated *
	AISI 303 - Ceramic Coated *	AISI 303 - Ceramic Coated *	AISI 303 - Ceramic Coated *	AISI 303 - Ceramic Coated *
Covers	Leaded Red Brass, ASTM B584, UNS C83600	Ductile Iron ASTM A536, UNS F331	AISI 316	AISI 316
Liners	Leaded Red Brass, ASTM B584, UNS C83600	Leaded Red Brass, ASTM B584, UNS C83600	Leaded Red Brass, ASTM B584, UNS C83600	AISI 304

* Optional Materials of Construction



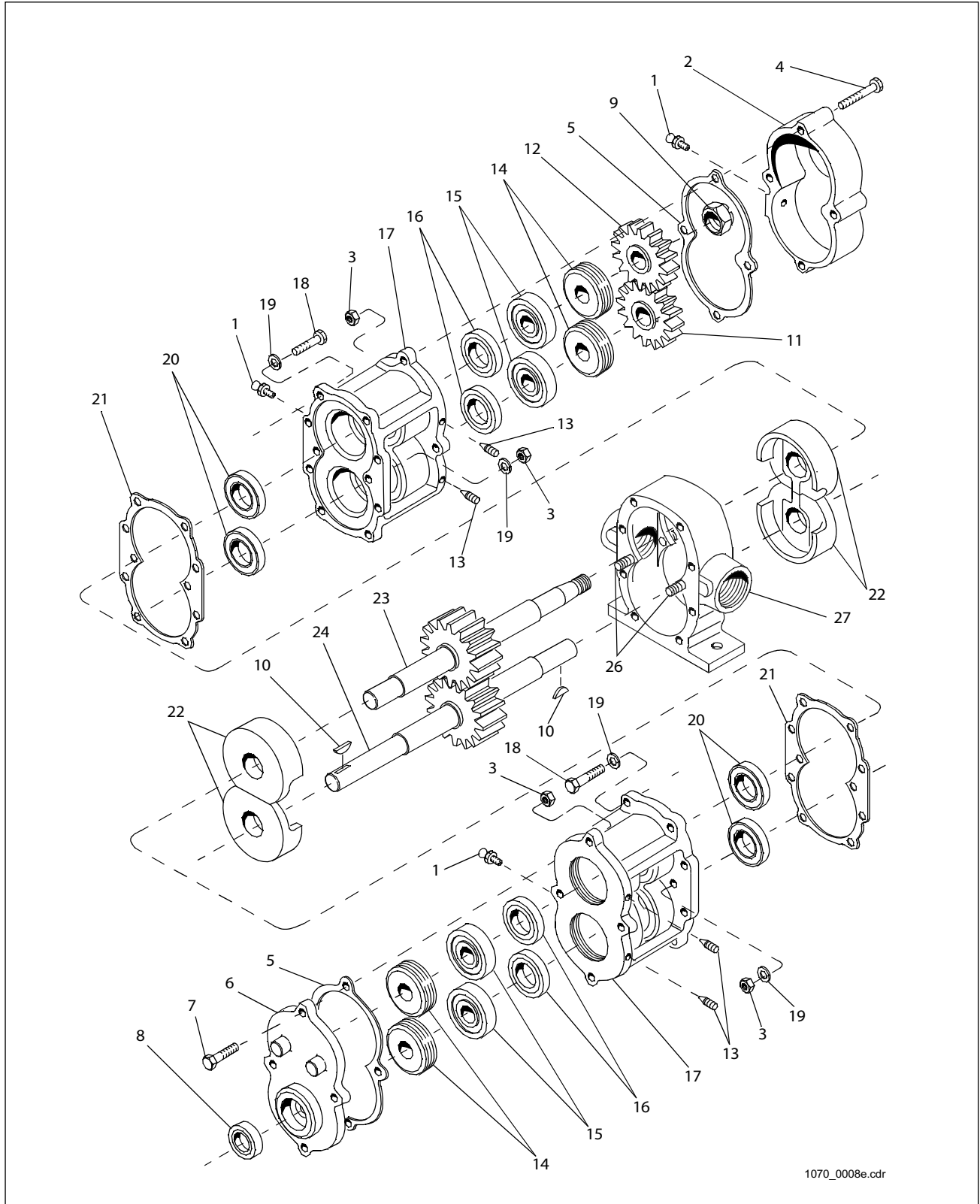
MODEL 20
PIECE NUMBERS



1070_0008a.cdr



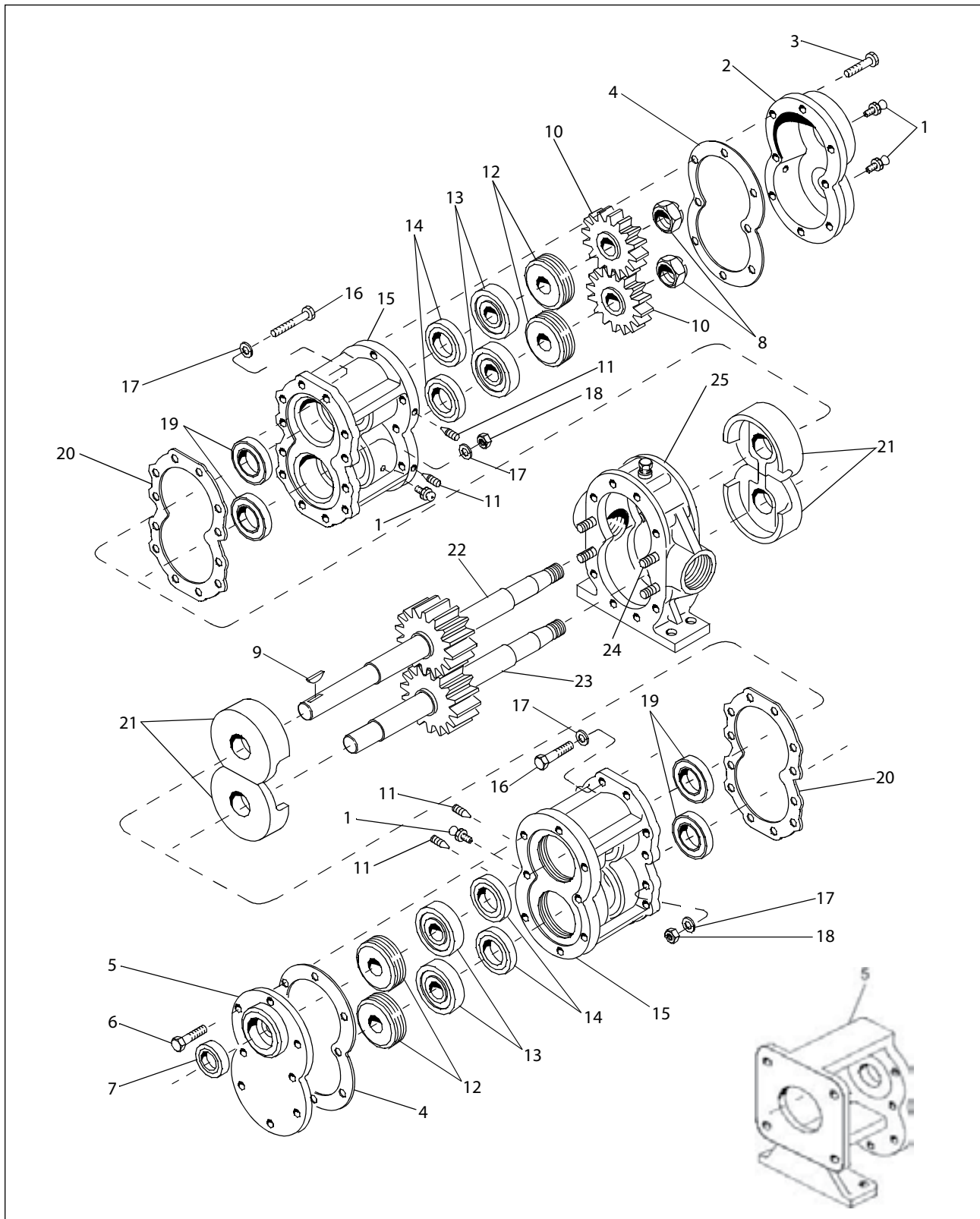
MODEL 80
PIECE NUMBERS



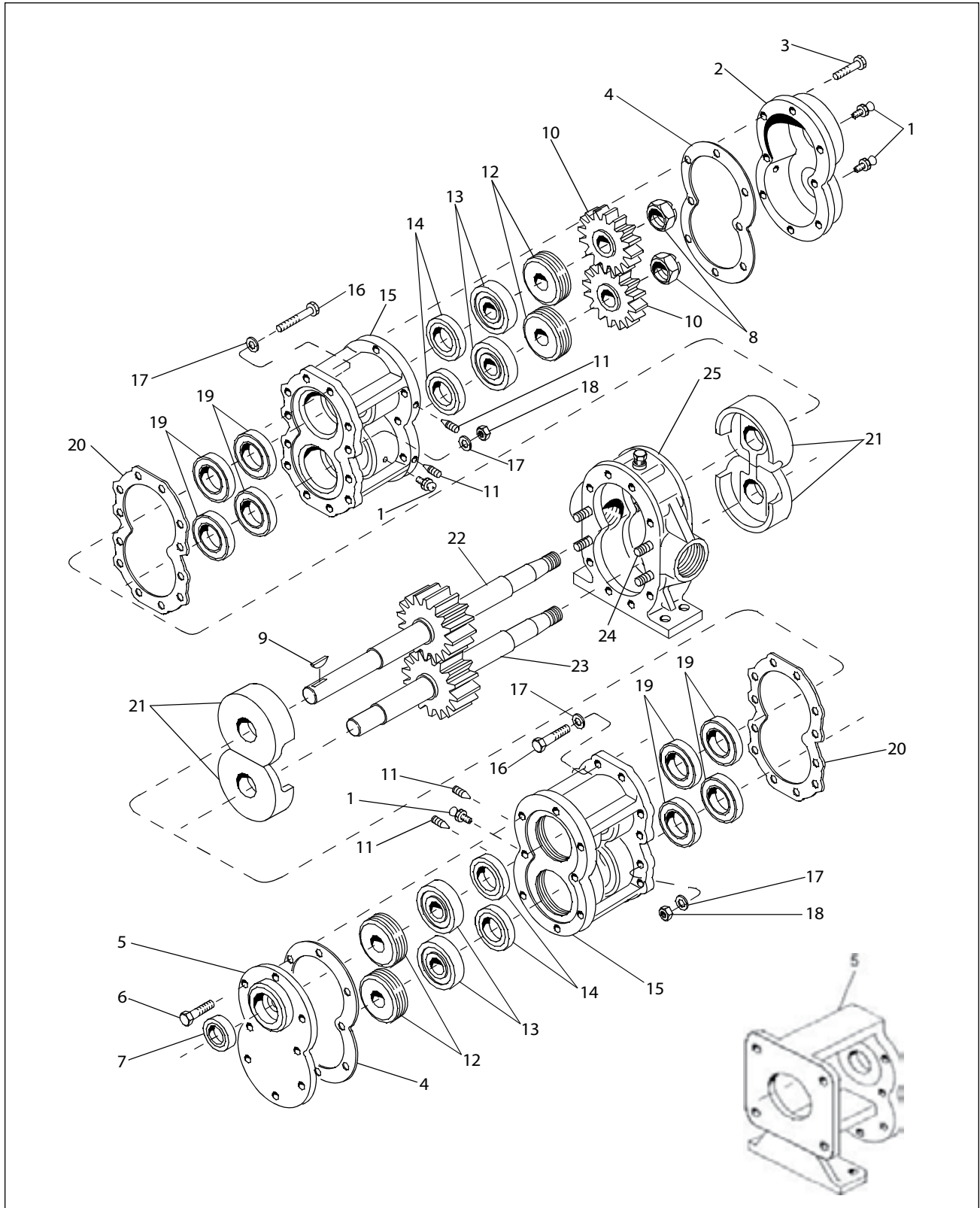
1070_0008e.cdr



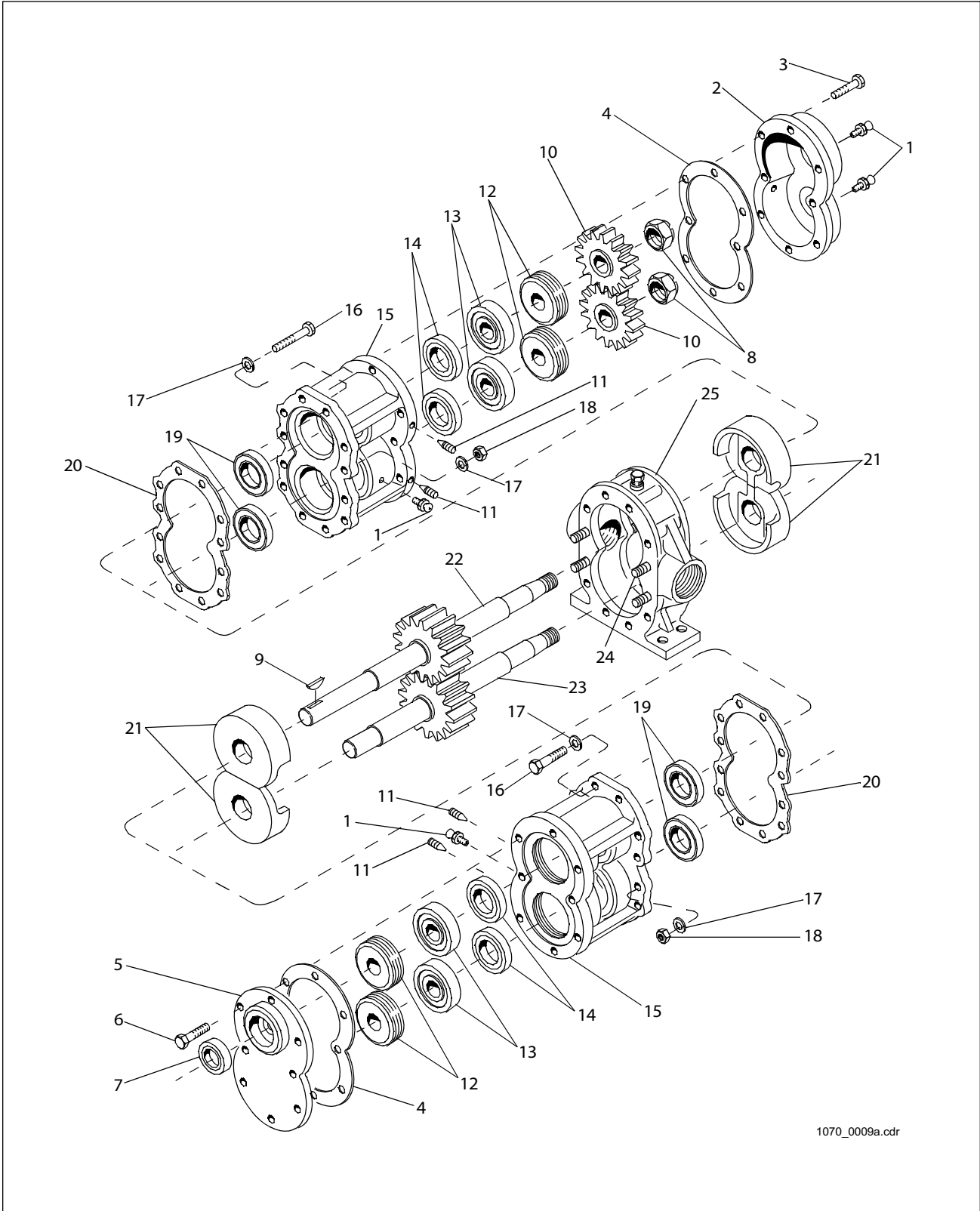
MODEL 150
PIECE NUMBERS



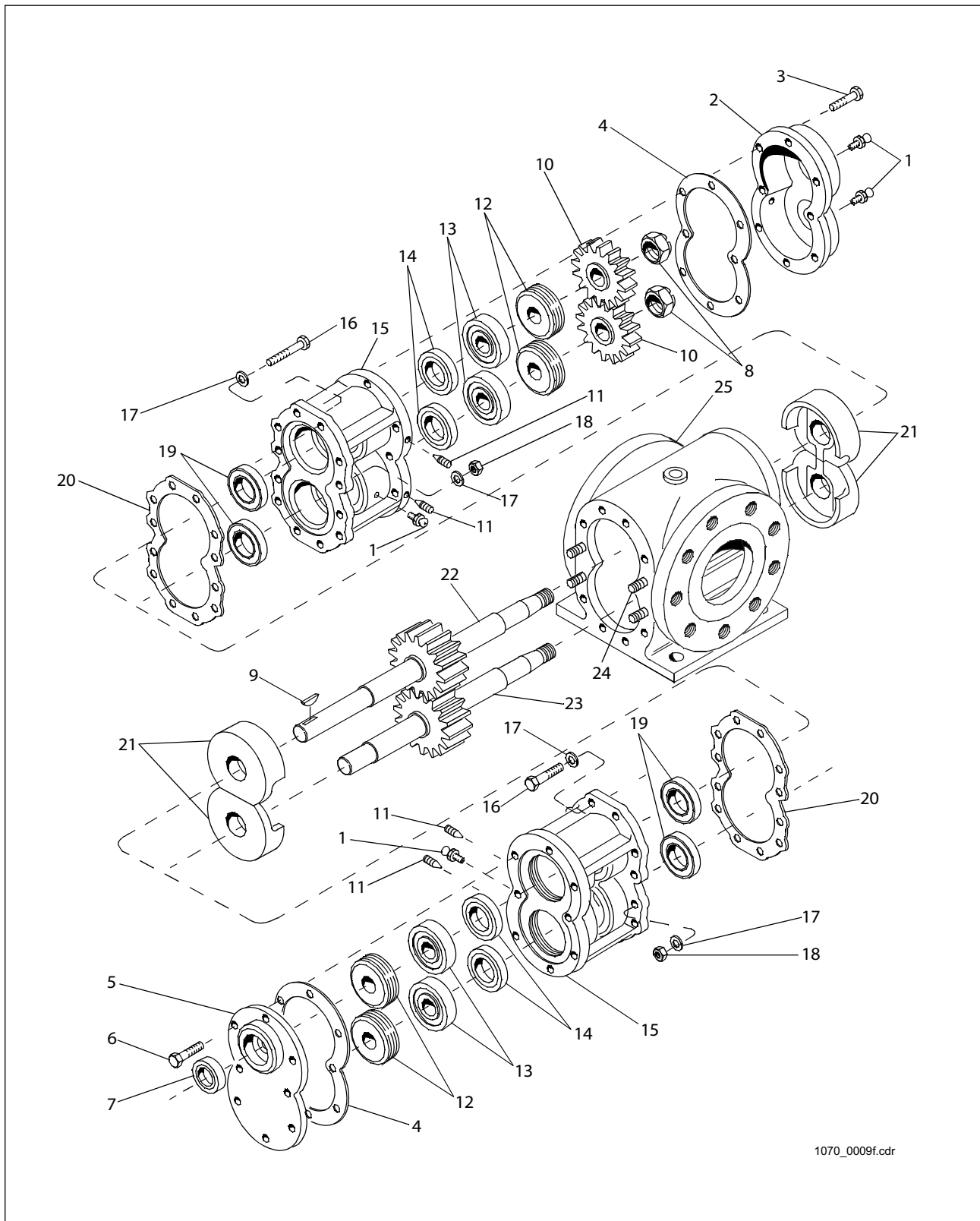
MODEL 160
PIECE NUMBERS



EDWARDS
MODEL 300
PIECE NUMBERS



MODEL 400
PIECE NUMBERS



1070_0009f.cdr





AURORA® EDWARDS SERIES

800 Airport Road,
North Aurora, IL 60542
phone: 630-859-7000
fax: 630-859-7060
website: www.AuroraPump.com

NOTE:
Edwards reserves the right to make revisions to its products and their specifications, and to this bulletin and related information without notice